

SPARE PARTS SECTION

METAL CUTTING BAND SAW

Model
EB-285DSV

Order Code B064V

EDITION No : EB-285DSV-1
DATE OF ISSUE : 08/2023

The following section covers the spare parts diagrams and lists that were current at the time this manual was originally printed. Due to continuous improvements of the machine, changes may be made at any time without notification.

HOW TO ORDER SPARE PARTS

1. Have your machines **model number, serial number & date of manufacture** on hand, these can be found on the specification plate mounted on the machine
2. A scanned copy of your parts list/diagram with required spare part/s identified.

NOTE: SOME PARTS MAY ONLY BE AVAILABLE AS AN ASSEMBLY

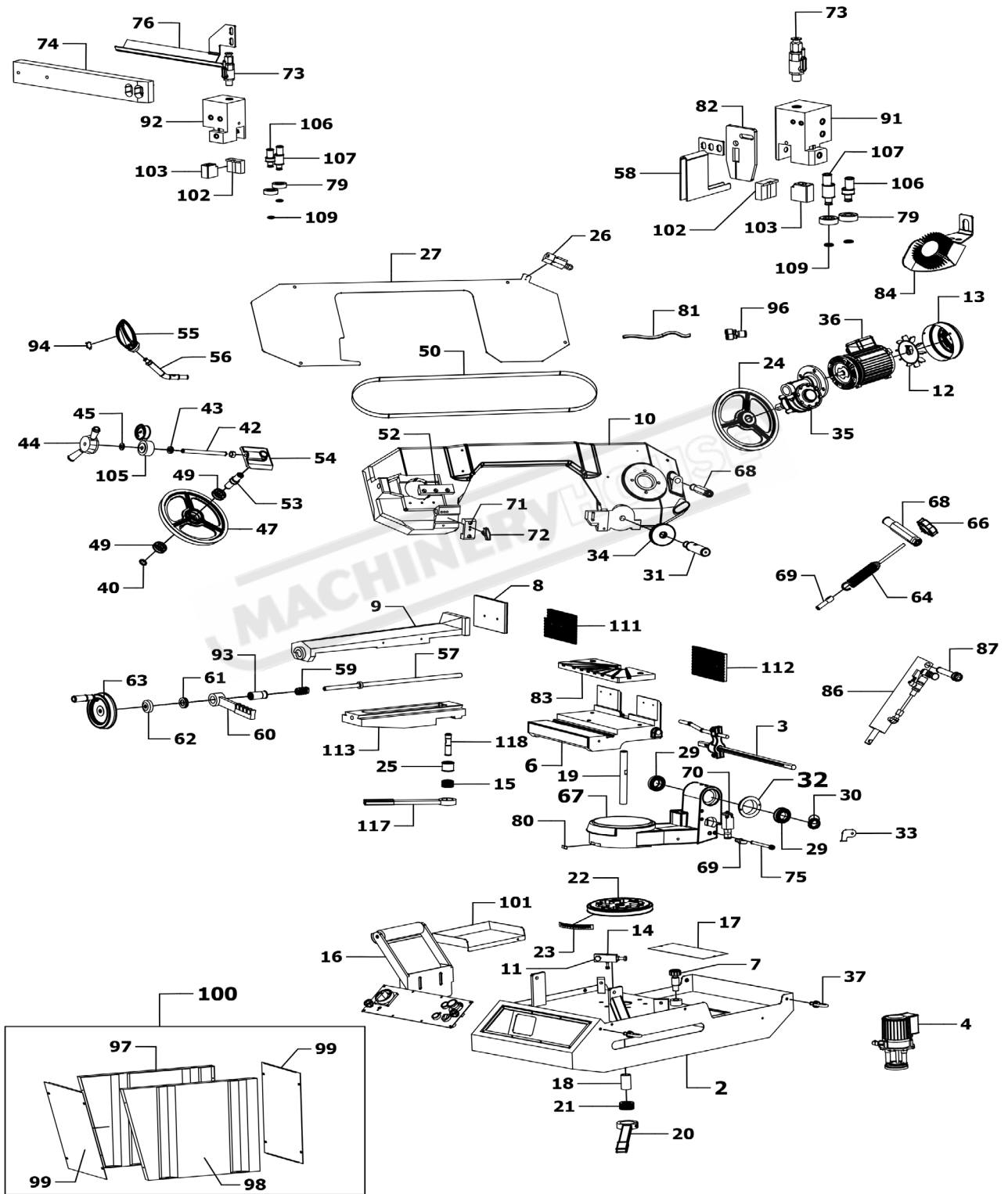
3. Go to www.machineryhouse.com.au/contactus and fill out the inquiry form attaching a copy of scanned parts list.



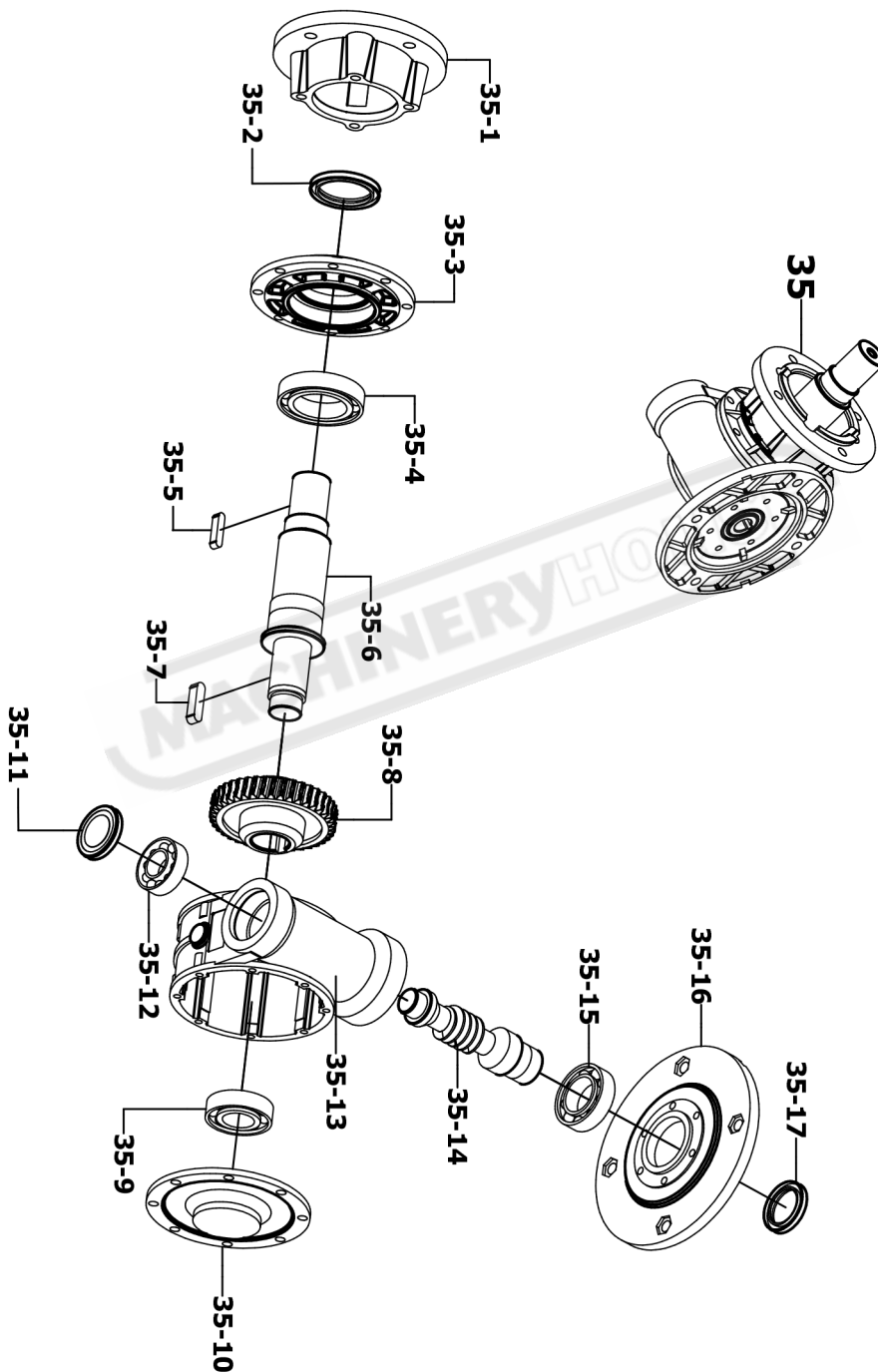
WARNING

**Disconnect all power from the machine before servicing.
There may be multiple power sources present.
Remove the plug from the power point or remove the
fuse if hardwired. Failure to do may cause death or injury.**

SPARE PARTS DIAGRAM



DRIVE GEARBOX SPARE PARTS DIAGRAM



EB-280DSV SPARE PARTS LIST

Ref. No.	Description	Qty	Ref. No.	Description	Qty	Ref. No.	Description	Qty
2	Base	1	45	Bearing ø16	1	93	Bush	1
3	Bar stop rod	1	47	Return flywheel	1	94	Micro switch	1
4	Cool pump	1	49	Bearing 6205	1	96	Coolant distributor	1
6	Countervice	1	50	Saw blade	1	97	Stand (L)	1
7	Pin	1	52	45 Block 45	1	98	Stand (R)	1
8	Vice jaw	1	53	Blade sheel shaft	1	99	Stand (Front / Rear)	2
9	Vice jaw	1	54	Block blade tension	1	100	Stand	1
10	Body frame	1	55	Handle	1	101	Water Plate	1
11	Screw M12	1	56	Lever	1	102	Bladeguide unit square (L)	2
12	Motor fan	1	57	Vice screw	1	103	Bladeguide unit (1)	2
13	Motor cover	1	58	R-Bladeguard	1	105	Blade tension gauge	1
14	45 / 60 block	1	59	Vice spring	1	106	Guide pivot. S	2
15	NUT M20	1	60	Vice lever	1	107	Guide pivot. L	2
16	Rollerway	1	61	Bearing 51106	1	109	C-ring ø8 C	4
17	Fiter	1	62	Bearing cover	1	111	Vice jaw (L)	1
18	Bush	1	63	Vice handwheel	1	112	Vice jaw (R)	1
19	Pin	1	64	Spring	1	113	Vice sliding seat	1
20	Lever	1	66	Nut wheel	1	117	Handle	1
21	NUT M24	1	67	Revolving arm	1	118	Bolt	1
22	Body frame	1	68	Rod	1			
23	Scale	1	69	SCREW	1	35-1	Gear BASE	1
24	Motor flywheel	1	70	Micro switch	1	35-2	Oil seal(35*50*8)	1
25	Bush	1	71	Block	1	35-3	Flange	1
26	Switch	1	72	Screw 1	1	35-4	Bearing 6207	1
27	Blade cover	1	73	Valve	1	35-5	Key (7*7*35)	1
29	Bearing 32007	2	74	Arm	1	35-6	Gear skaft	1
30	Ring nut M35	1	75	Screw M10*120	1	35-7	Key (8*7*25)	1
31	Pivot	1	76	Blade guard	1	35-8	Transmission gear	1
32	Bearing cover	1	79	Bearing 608	1	35-9	Bearing 6205	1
33	Plate	1	80	Scale	1	35-10	Cover	1
34	Plate	1	81	Water pipe	1	35-11	Oil seal (40*8)	1
35	Gear box	1	82	Rust plate	1	35-12	Bearing 6203	1
36	Motor	1	83	Vice pad	1	35-13	Gear box	1
37	Flying ring	4	84	Brush	1	35-14	Worm gear	1
40	C-ring	1	86	Cylinder	1	35-15	Bearing 6005	1
42	Screw M16	1	87	Screw M14*75	1	35-16	Flange	1
43	Spring washer	4	91	R.Bladeguide plate	1	35-17	Oil seal (25*40*7)	1
44	Handle	1	92	L.Bladeguide plate	1			

NOTE: SOME INDIVIDUAL PARTS MAY ONLY BE AVAILABLE AS AN ASSEMBLY

EB-285DSV ELECTRICAL DIAGRAM

